

EMB5119

03.21

# Sanicompact comfort Saniceramic 4



**FR** NOTICE D'INSTALLATION

**UK** INSTALLATION INSTRUCTIONS

**DE** INSTALLATIONSHINWEISE

**IT** STRUZIONI PER L'INSTALLAZIONE

**ES** MANUAL DE INSTALACIÓN

**PT** MANUAL DE INSTALAÇÃO

**NL** INSTALLATIE VOORSCHRIFTEN

**SE** INSTALLATIONSANVISNING

**DK** INSTALLATIONSVEJLEDNING

**NO** INSTALLASJONSANVISNING

**FI** ASENNUSOHJEET

**HU** FELSZERELÉSI ÉS KEZELÉSI ÚTMUTATÓ

**PL** INSTRUKCJA INSTALACJI

**RU** ИНСТРУКЦИЯ ПО МОНТАЖУ И ЭКСПЛУАТАЦИИ

**RO** MANUAL DE INSTALARE

**CZ** NÁVOD K INSTALACI A POUŽÍVÁNÍ

**TR** KURULUM KILAVUZU

**EL** ΟΔΗΓΙΕΣ ΕΓΚΑΤΑΣΤΑΣΗΣ

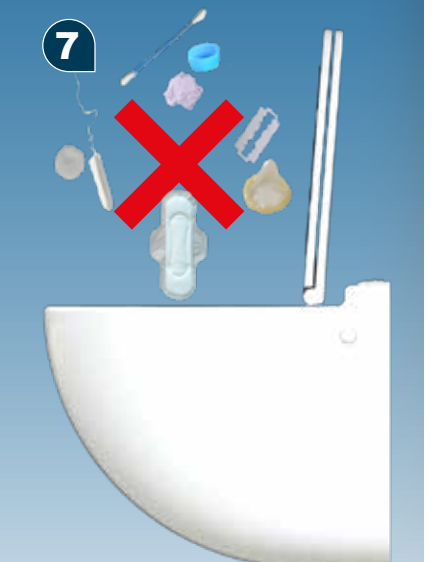
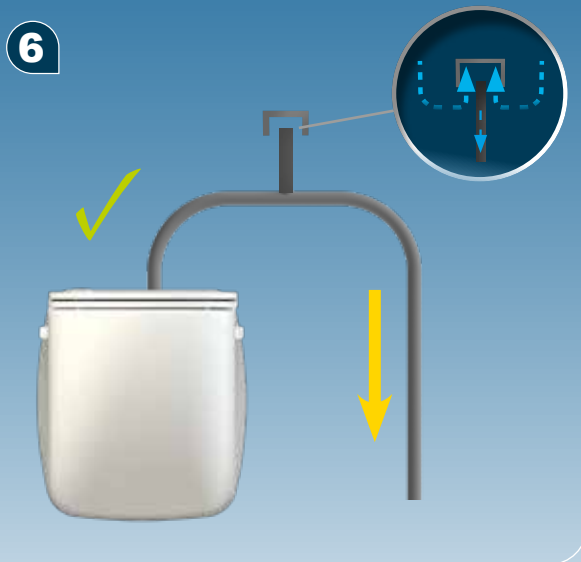
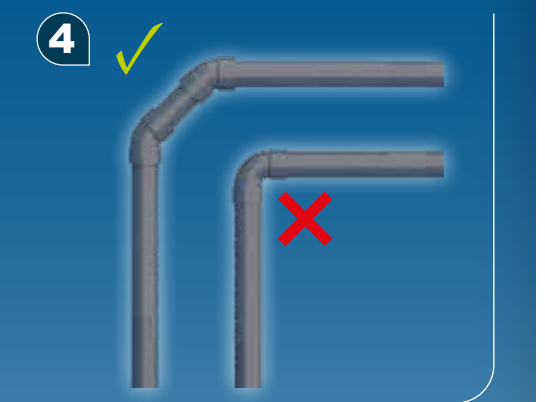
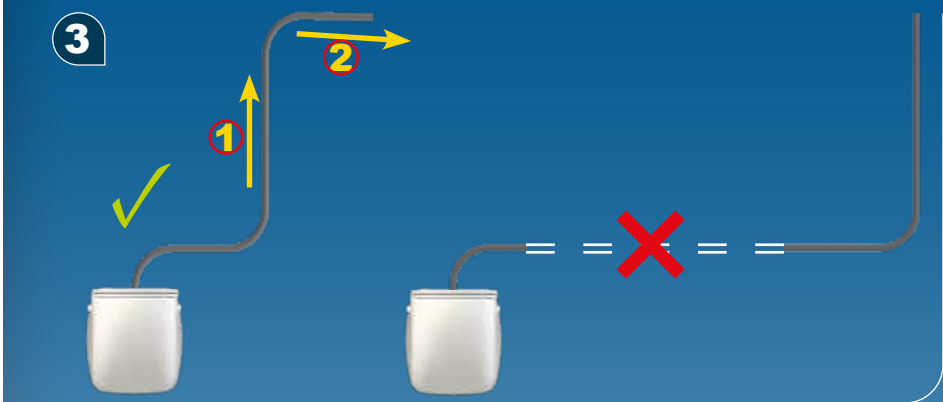
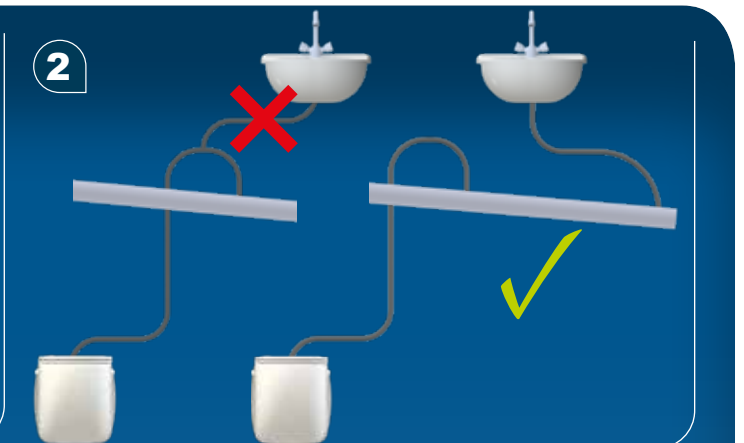
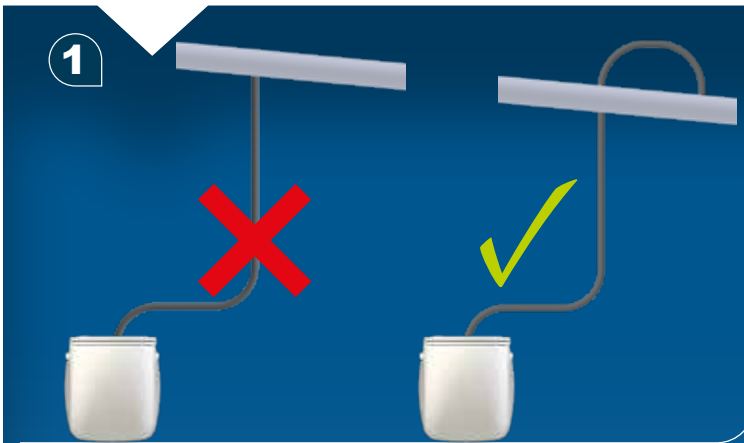
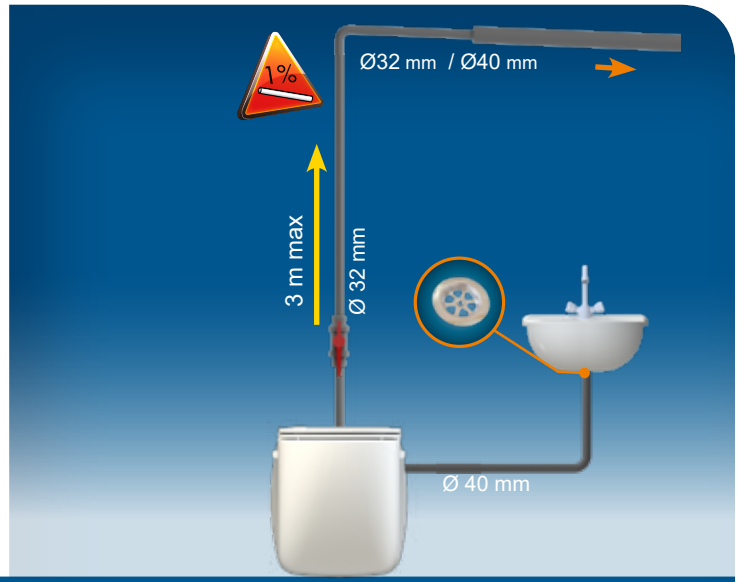
**CN** 用户应保留安装指南以备

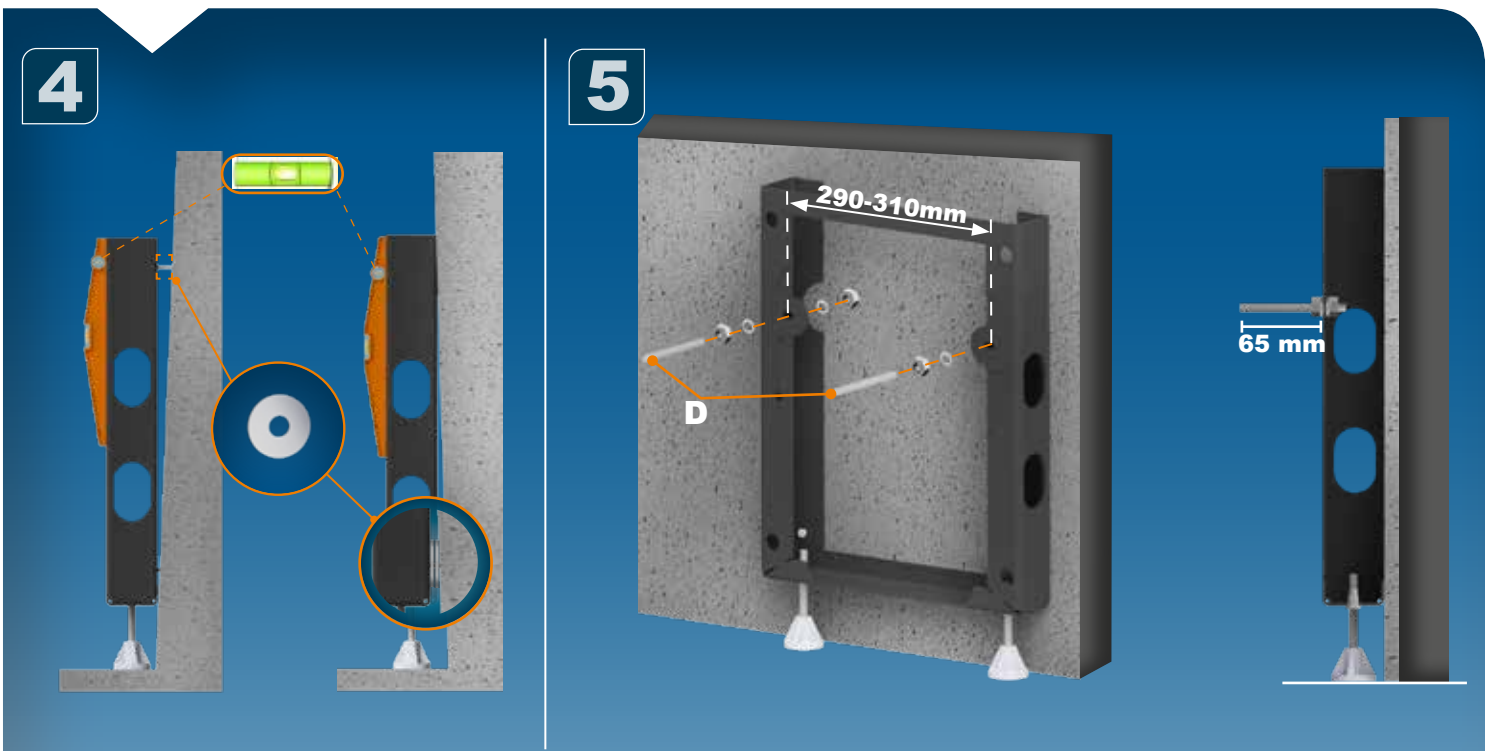
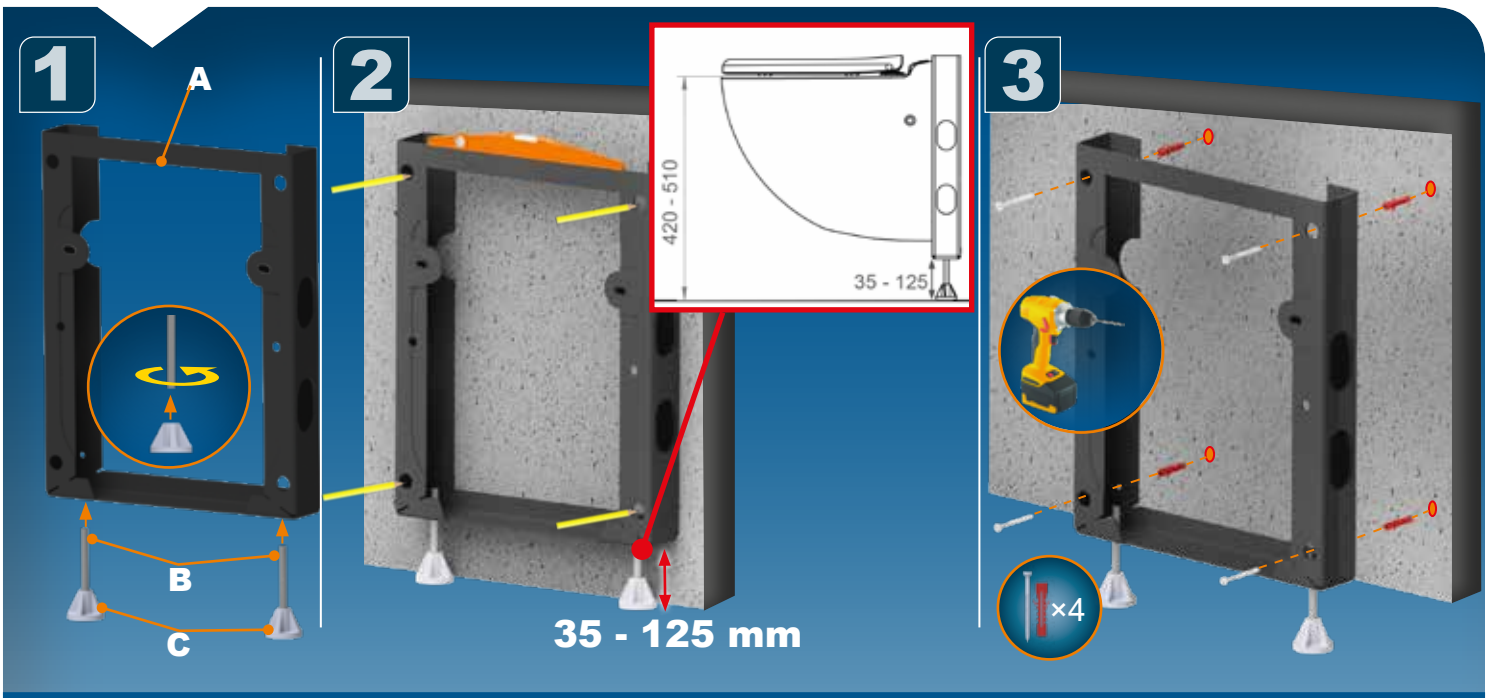
**KR** 설치내용서

**HR** UPUTA ZA INSTALACIJU

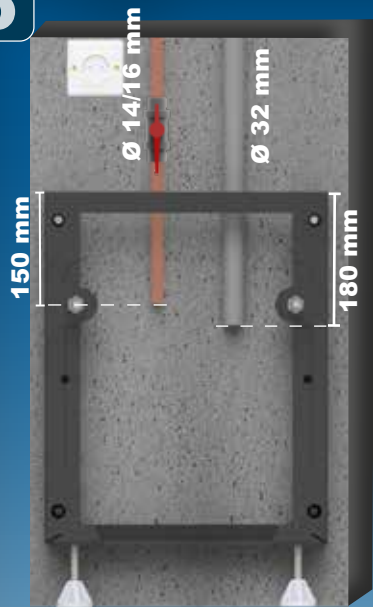
**AR** بيكرتلا قيرط



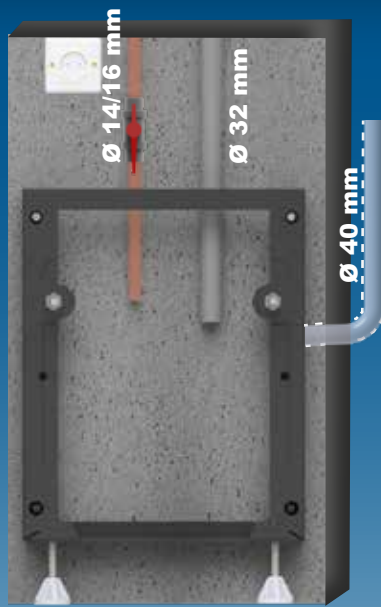




6



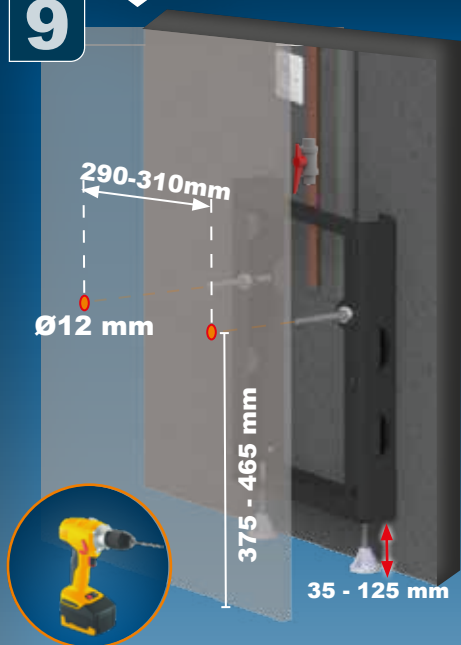
7



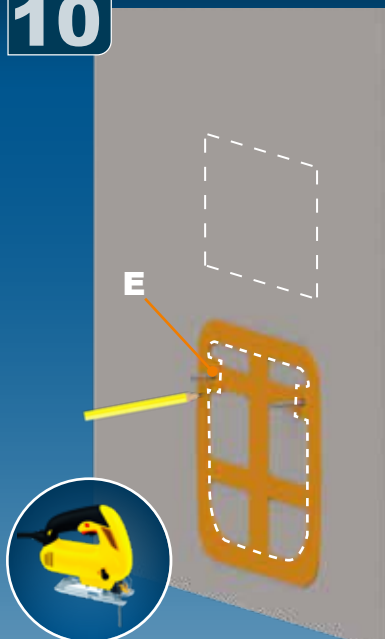
8



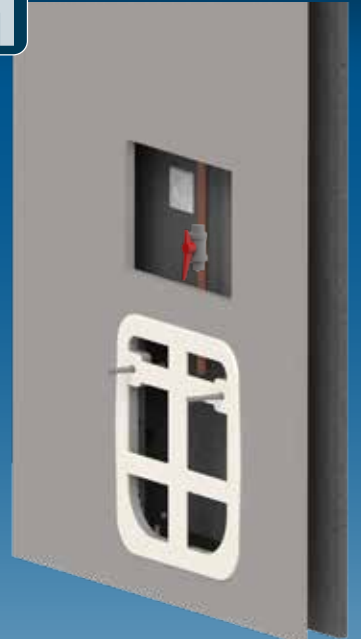
9



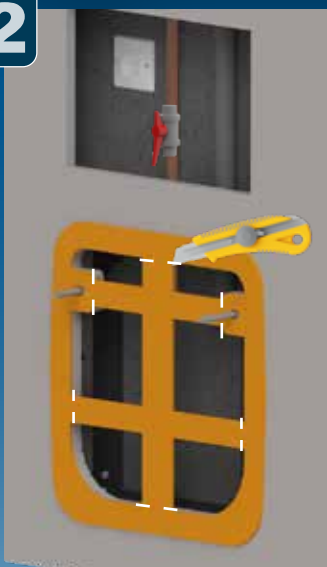
10



11



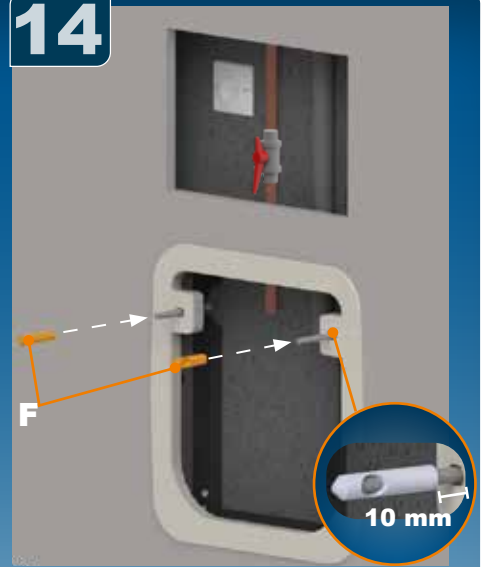
12



13



14



15



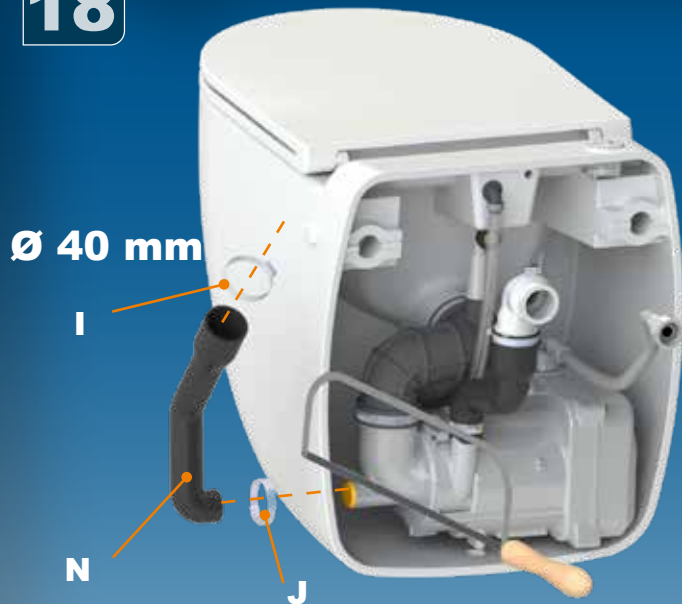
16



17



18



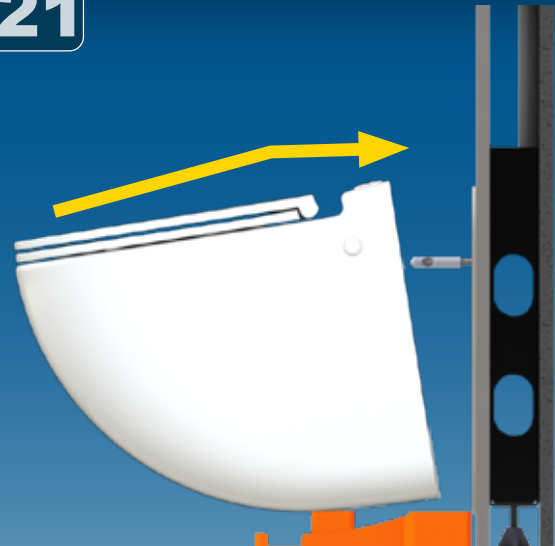
19



20



21

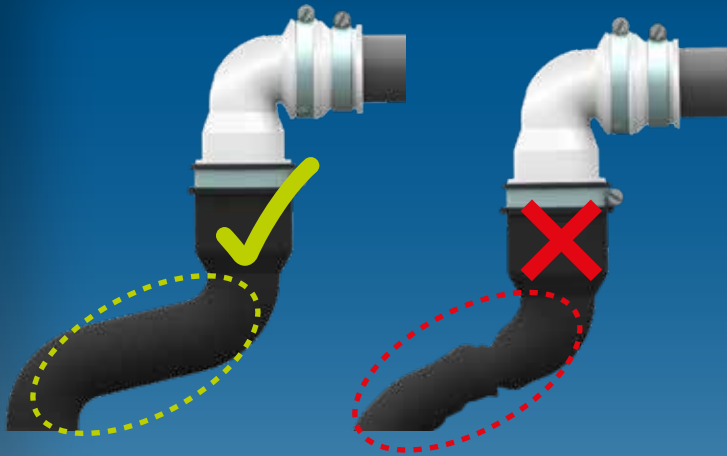




22



23



---

---

---

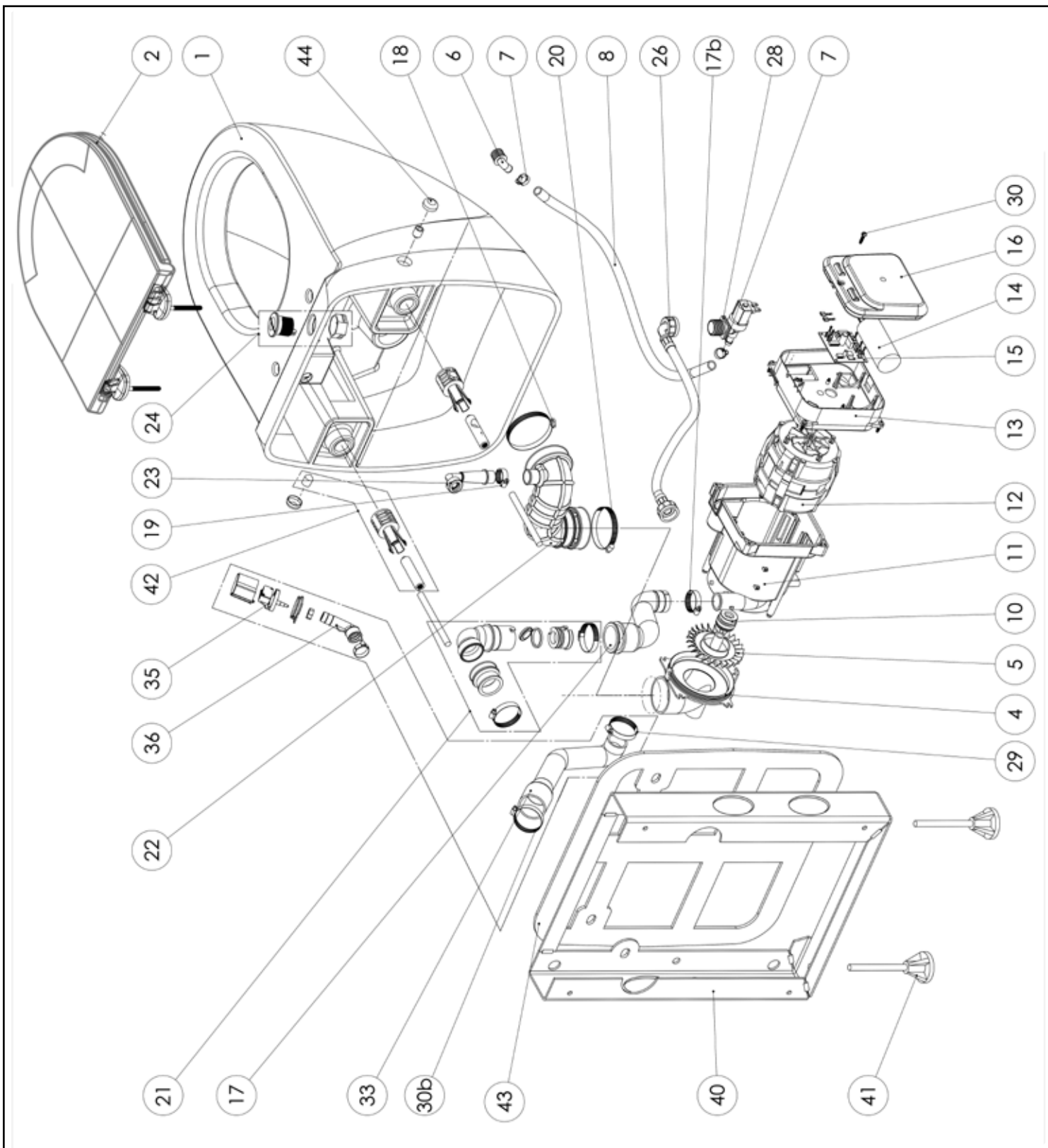
---

---

---

---

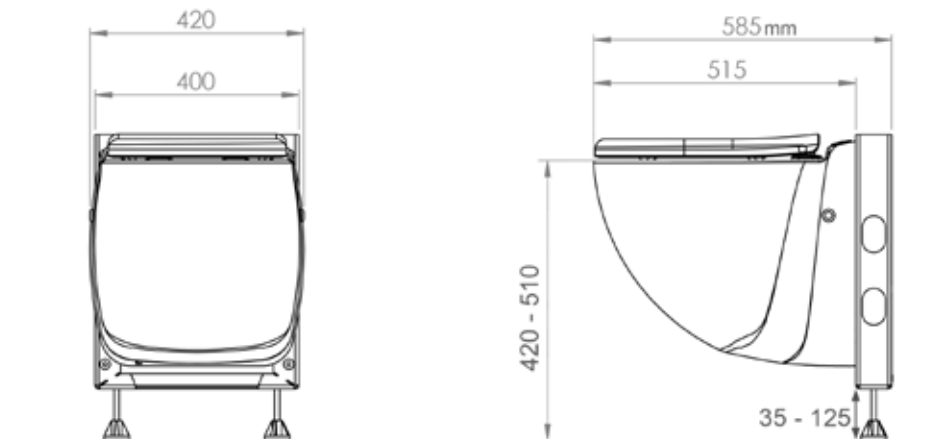
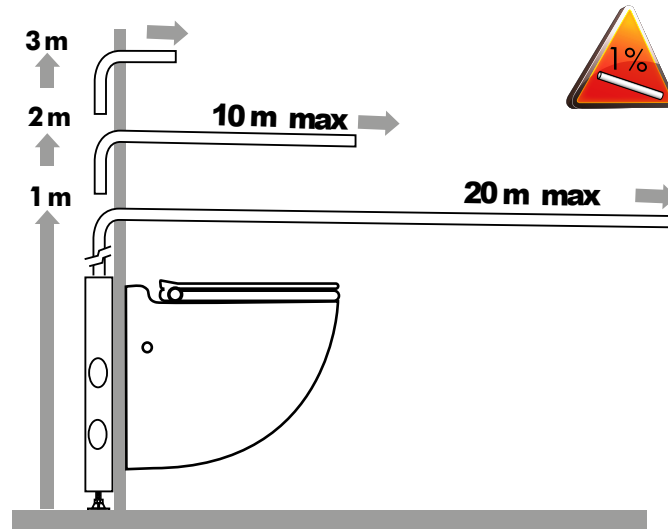
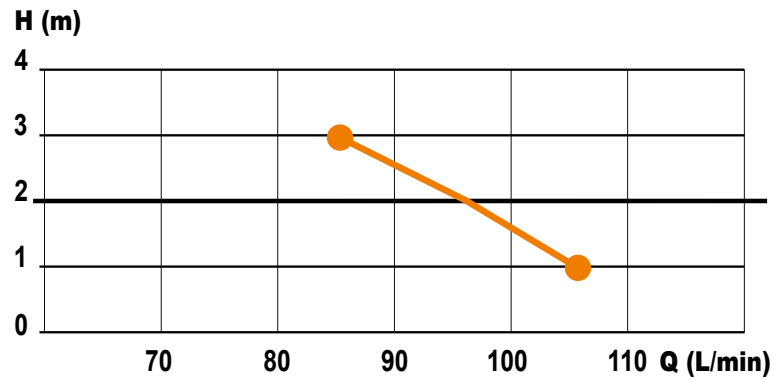
---



**SANICOMPACT Comfort  
CR15**

**220-240 V - 50 Hz - 550 W - IP44 -**





#### SERVICE HELPLINES

France  
Tel. 01 44 82 25 55  
Fax. 03 44 94 46 19

United Kingdom  
Tel. 08457 650011 (Call from a land line)  
Fax. 020 8842 1671

Ireland  
Tel. 1850 23 24 25 (LOW CALL)  
Fax. +353 46 97 33 093

Australia  
Tel. +1300 554 779  
Fax. +61.2.9882.6950

Deutschland  
Tel. 0800 82 27 82 0  
Fax. (060 74) 30928-90

Italia  
Tel. 0382 6181  
Fax. +39 0382 618200

España  
Tel. +34 93 544 60 76  
Fax. +34 93 462 18 96

Portugal  
Tel. +35 21 911 27 85  
Fax. +35 21 957 70 00

Suisse Schweiz Svizzera  
Tel. +41 (0)32 631 04 74  
Fax. +41 (0)32 631 04 75

Benelux  
Tel. +31 475 487100  
Fax. +31 475 486515

Sverige  
Tel. +08-404 15 30

Norge  
Tel. +08-404 15 30

Polska  
Tel. (+4822) 732 00 33  
Fax. (+4822) 751 35 16

РОССИЯ  
Tel. (495) 258 29 51  
Fax. (495) 258 29 51

Česká Republika  
Tel. +420 266 712 855  
Fax. +420 266 712 856

România  
Tel. +40 724 364 543  
service@saniflo.ro

Türkiye  
Tel. +90 212 275 30 88  
Fax. +90 212 275 90 58

Brazil  
Tel. (11) 3052-2292

中国  
Tel. +86(0)21 6218 8969  
Fax. +86(0)21 6218 8970

South Africa  
Tel. +27 (0) 21 286 00 28

Service information : [www.sfa.biz](http://www.sfa.biz)